









 **psi**

max. 145  72.5 
7.25  14.5 

 **bar**

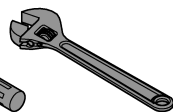
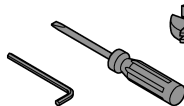
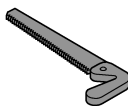
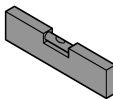
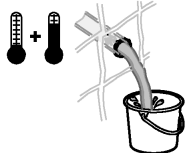
max. 10  5 
0,5  1 

 **°F**

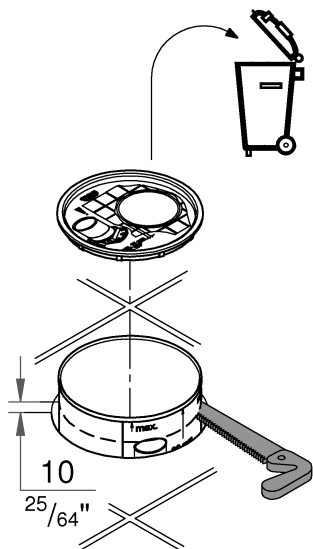
max. 158°  140° 

 **°C**

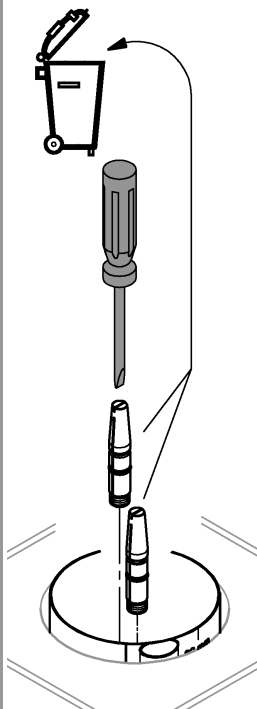
max. 70°  60° 



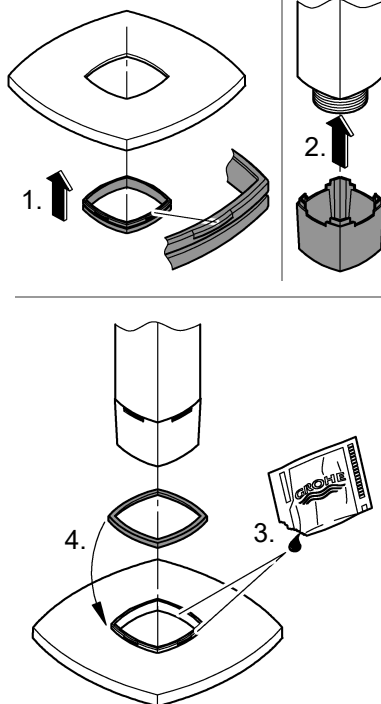
1



2

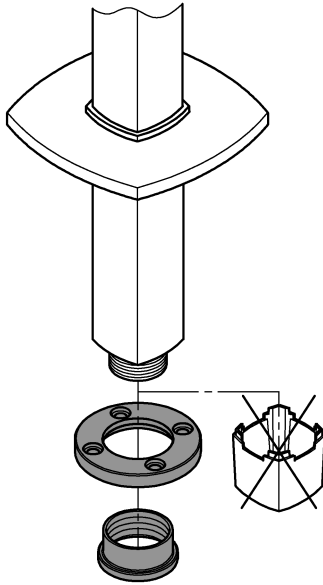


3

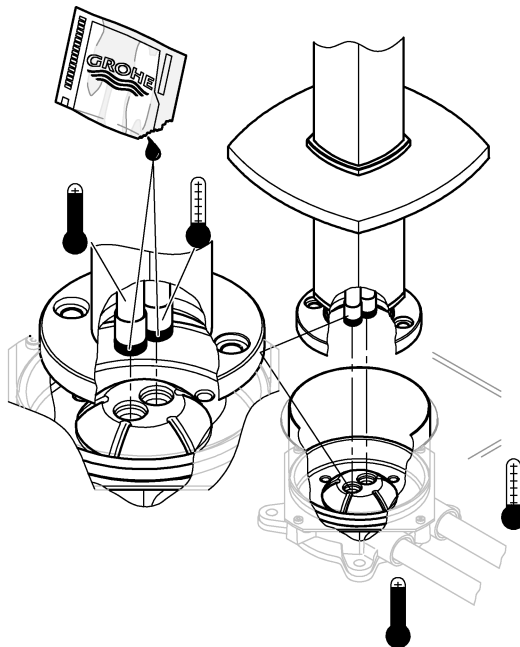




4

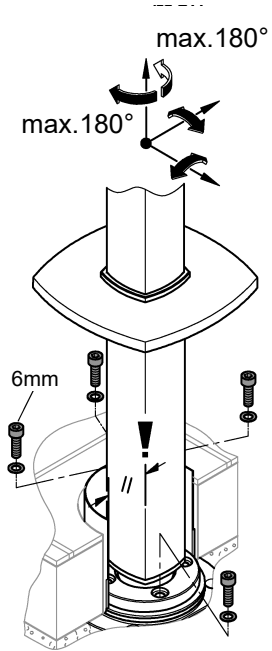


5

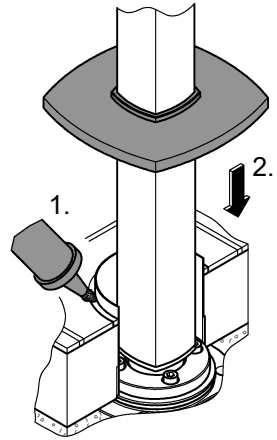




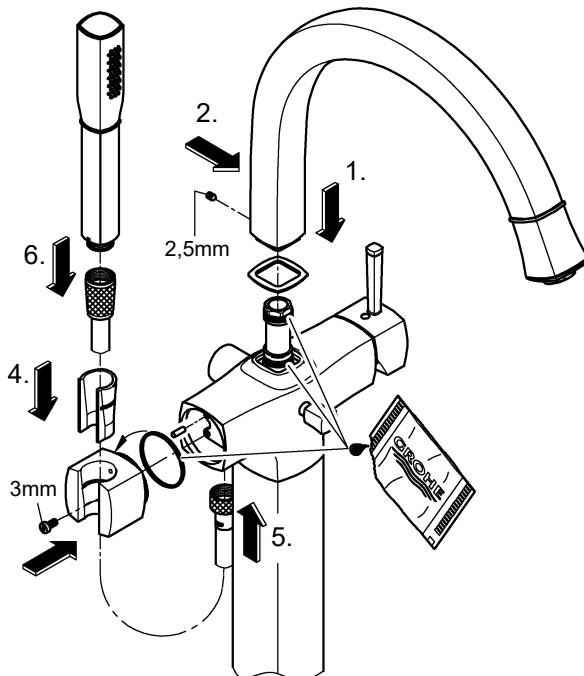
6

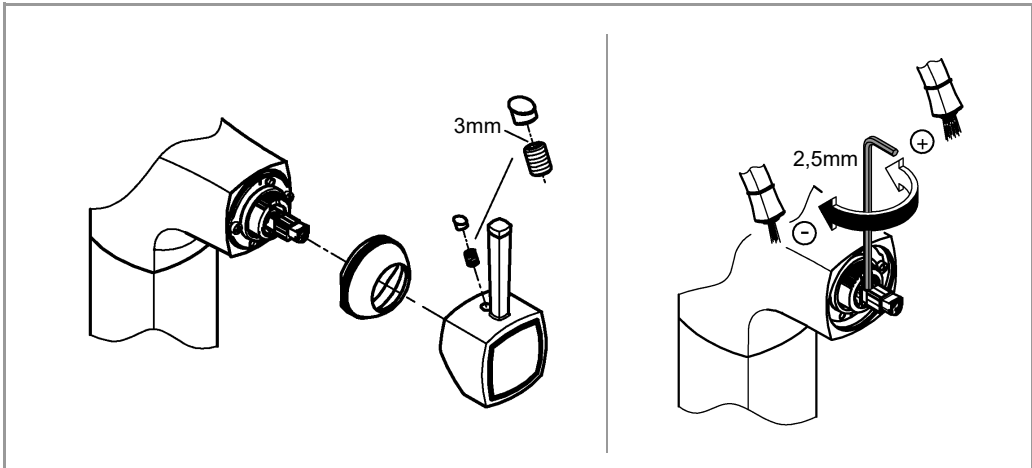
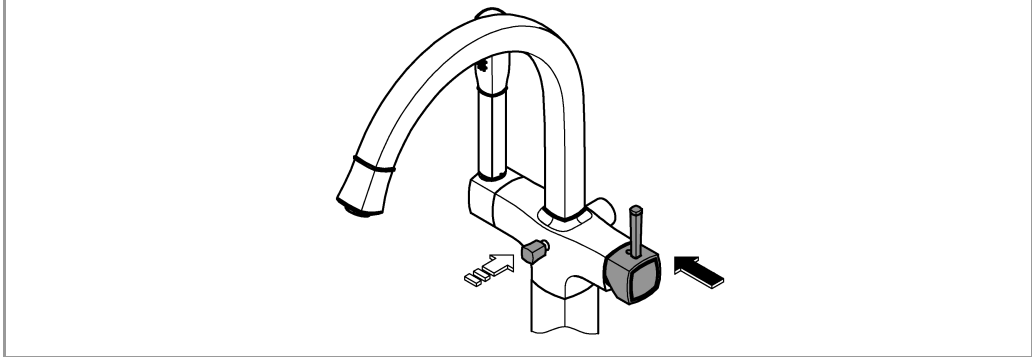
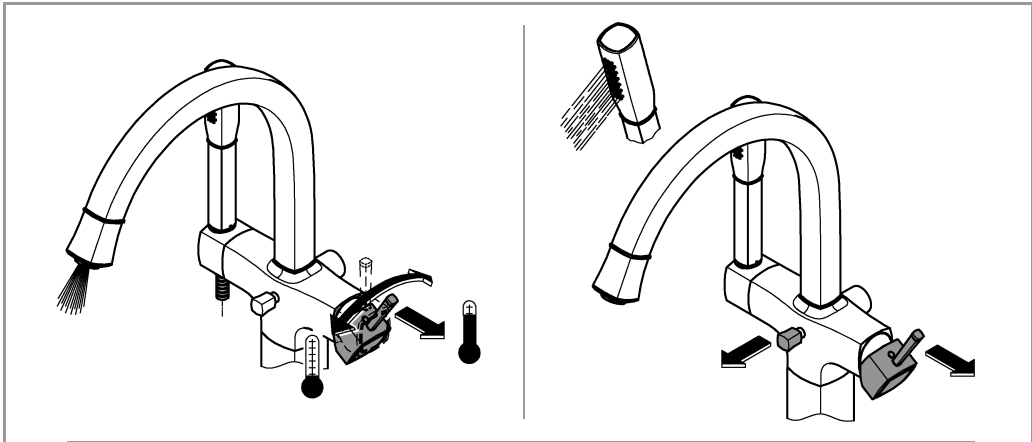


7



8





MAINTENANCE 