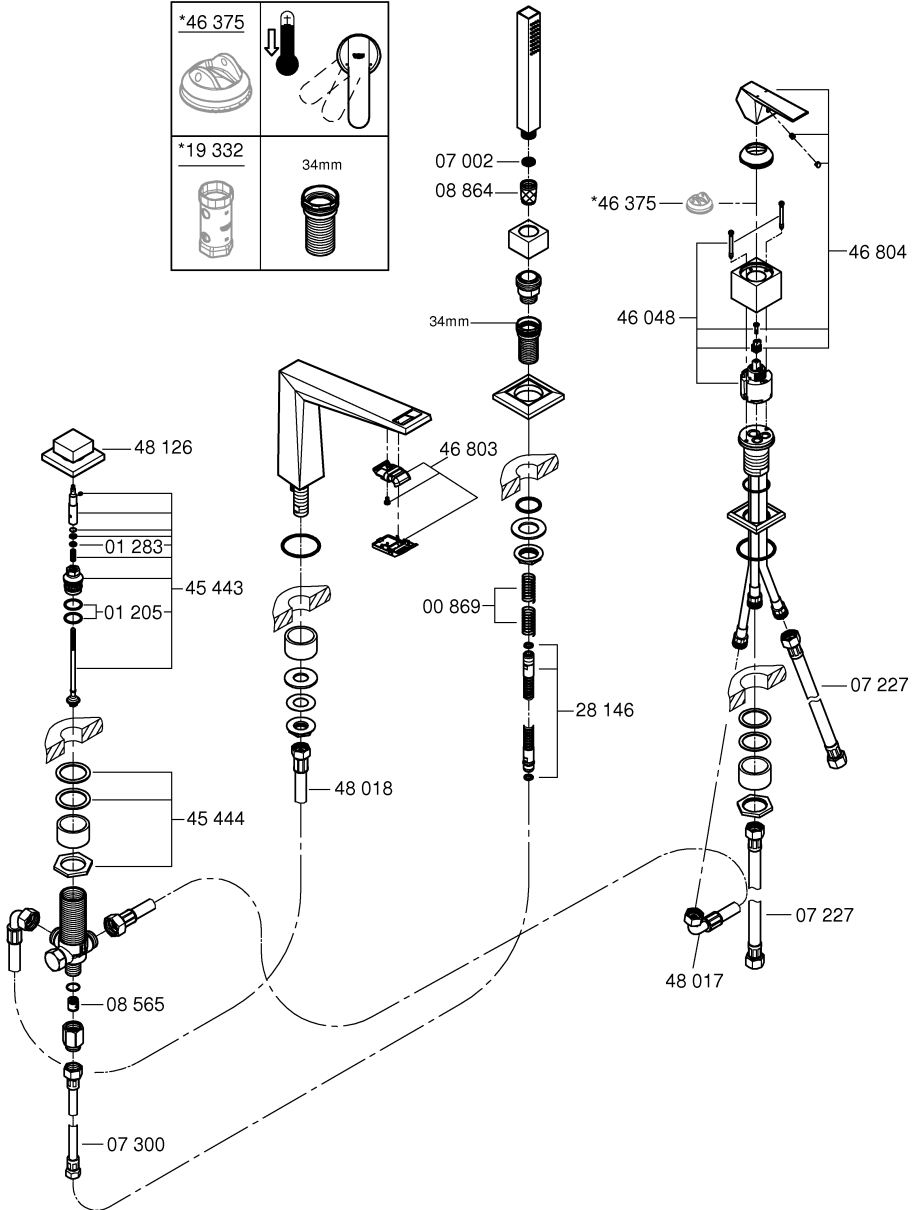





*46 375	
*19 332	34mm 








 **psi**

7.25  max. 145  72.5  14.5

 **bar**

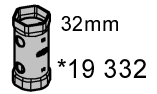
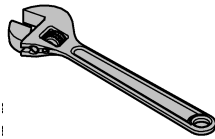
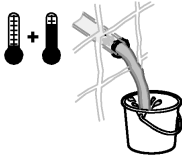
0.5  max. 10  5  1

 **°F**

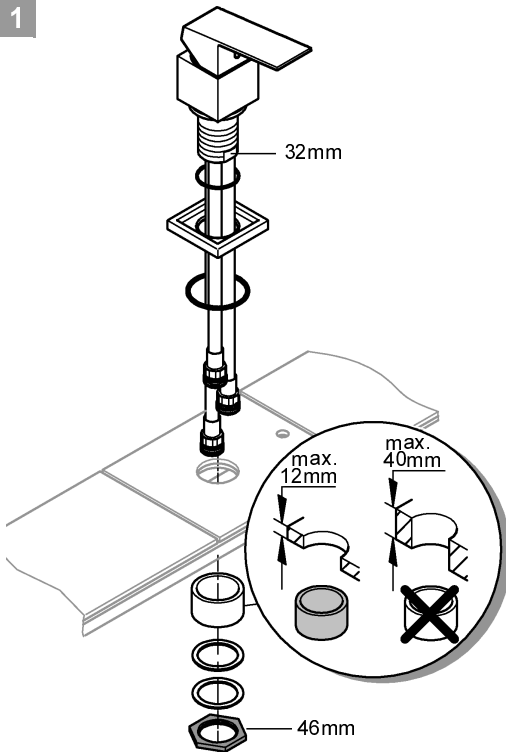
 max. 158°  140°

 **°C**

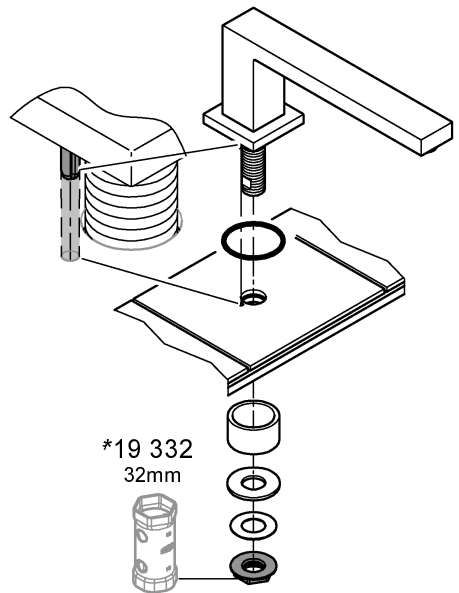
 max. 70°  60°



1

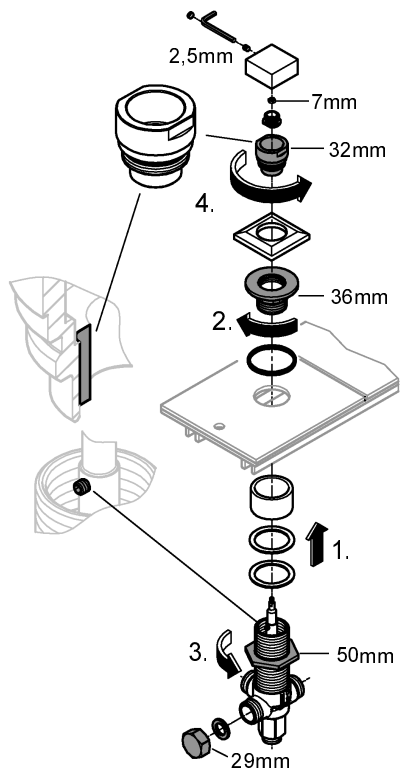


2

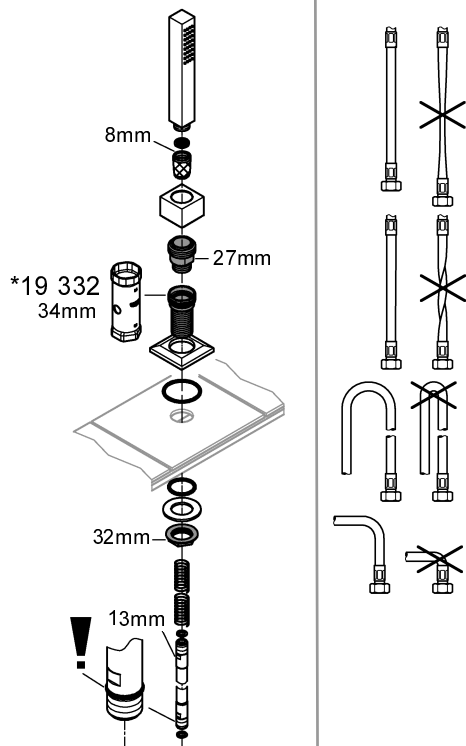




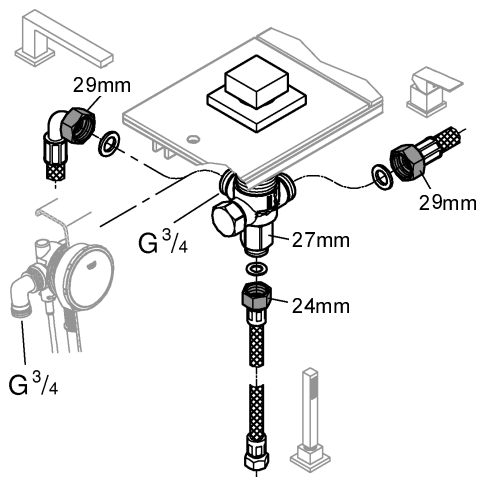
3



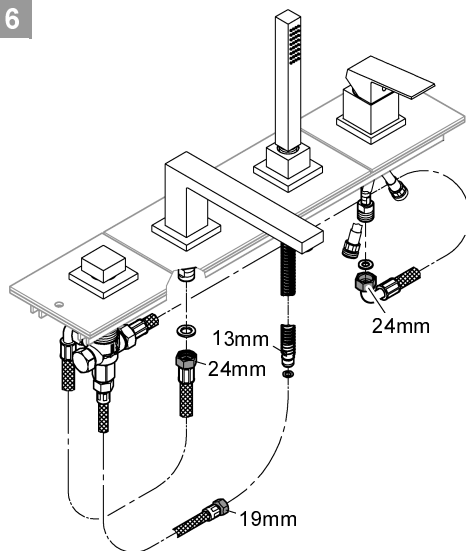
4



5

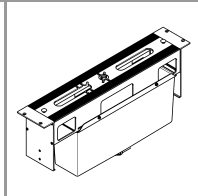


6





7a



7b

