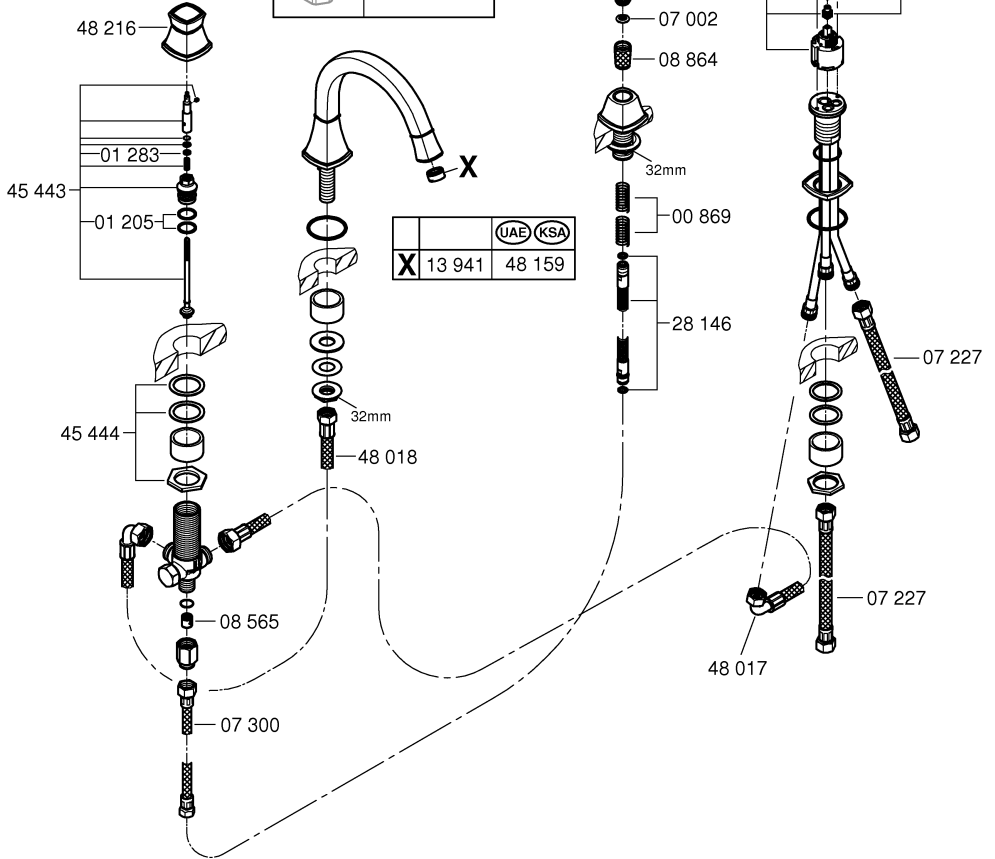
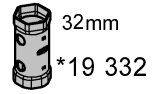
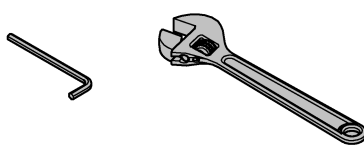
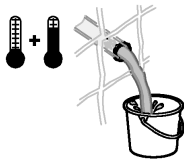
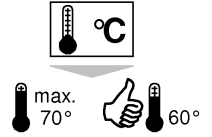
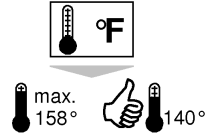
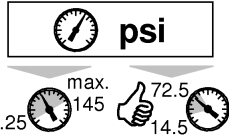


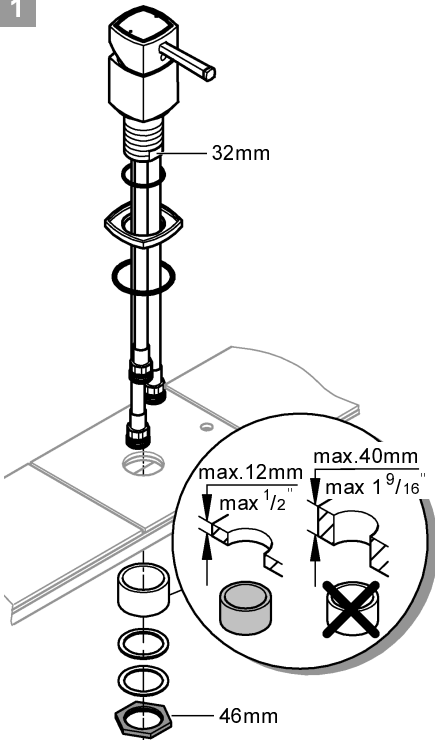


*46 375	
*19 332	32mm 

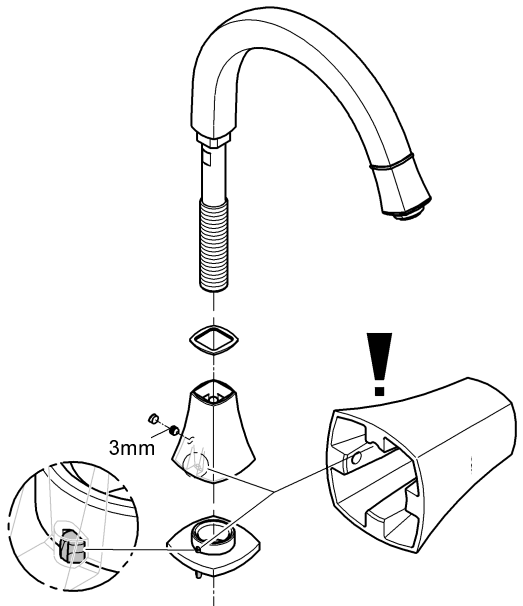




1

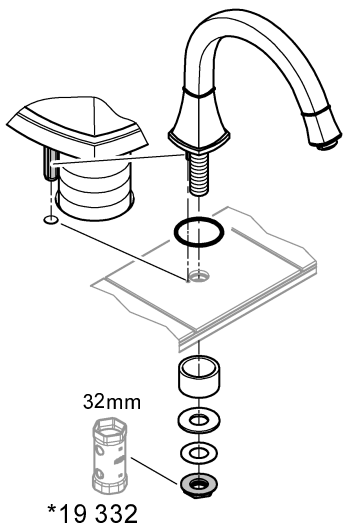


2

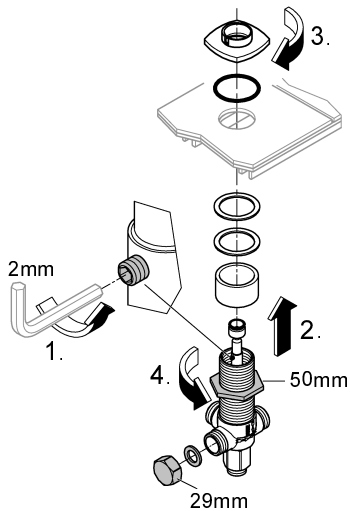




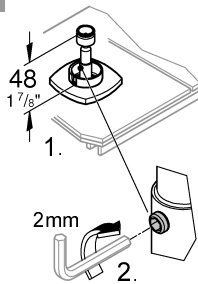
3



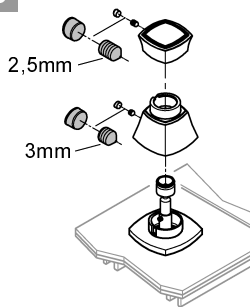
4



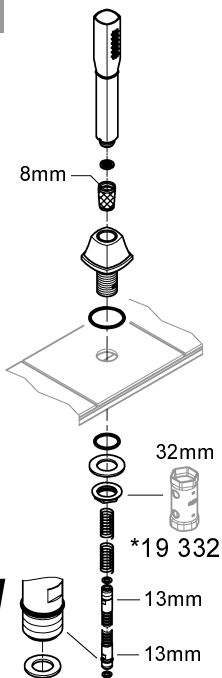
5



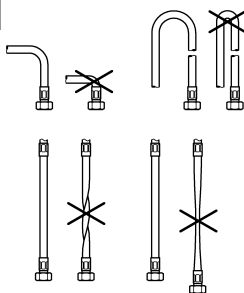
6



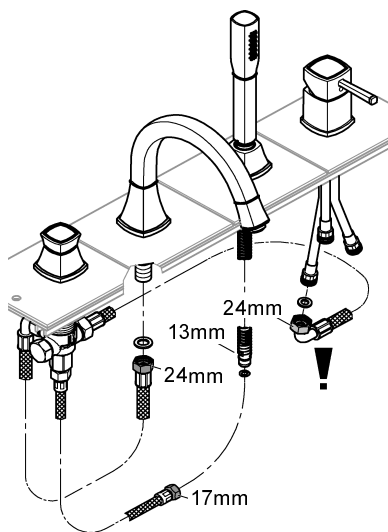
7



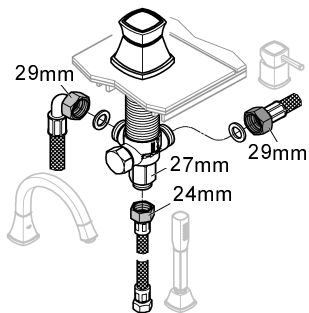
8



10

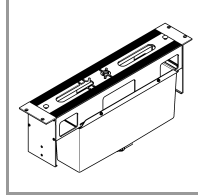


9

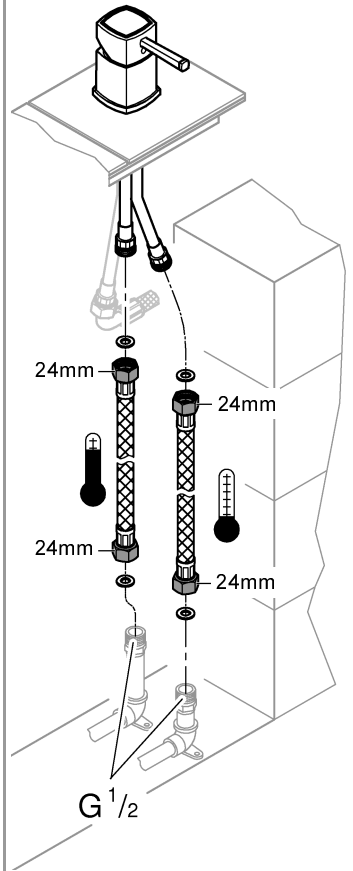
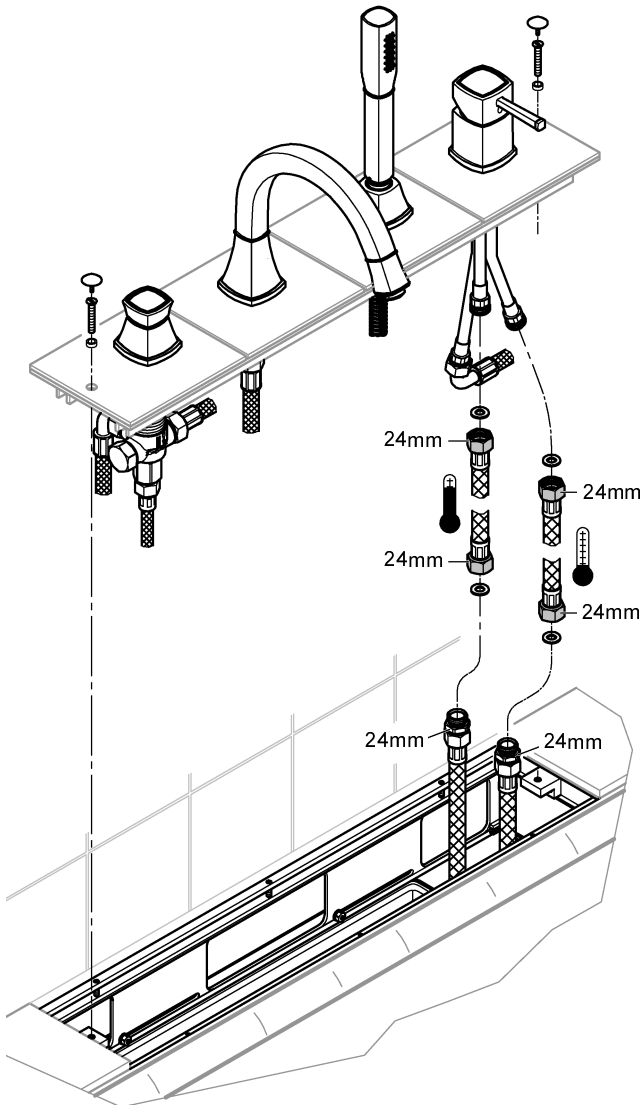
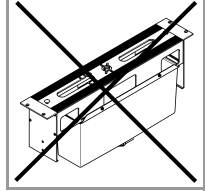




11a



11b



G<sup>1</sup>/<sub>2</sub>

