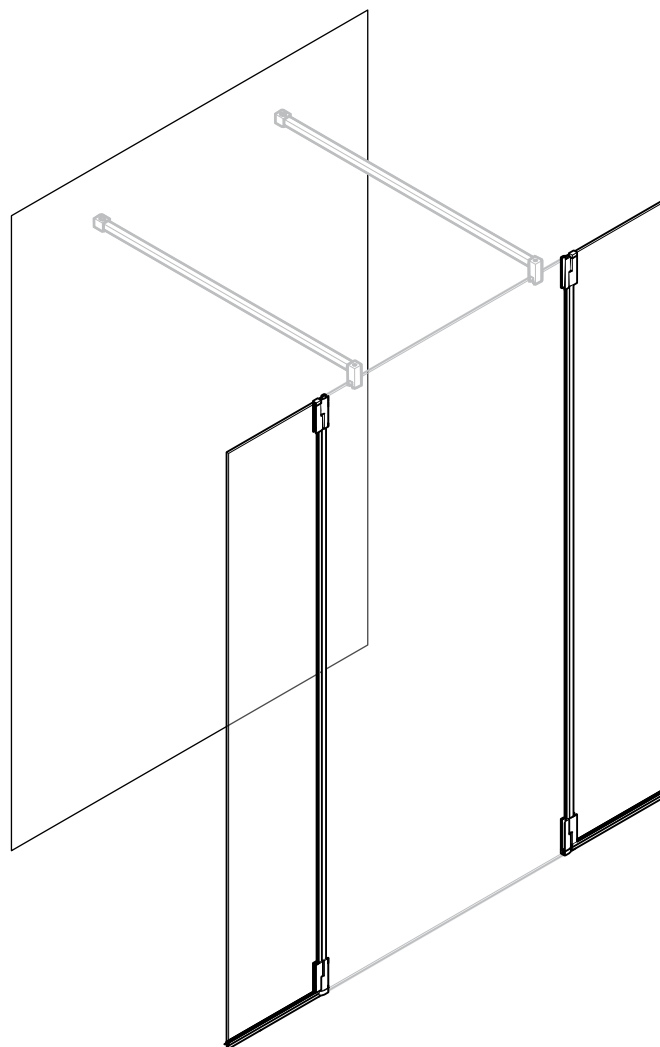
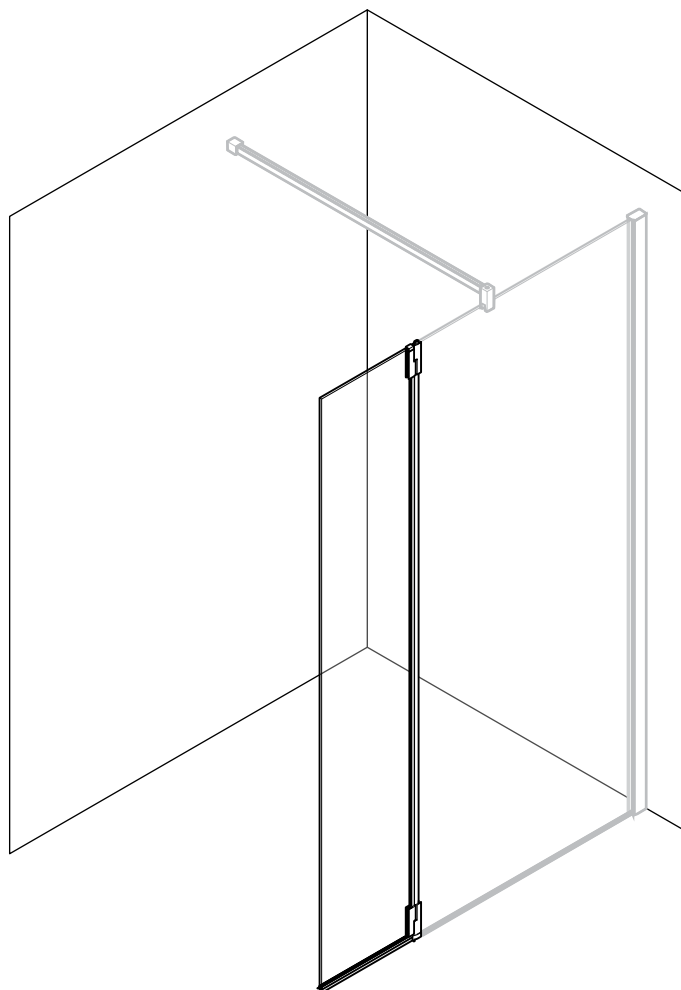
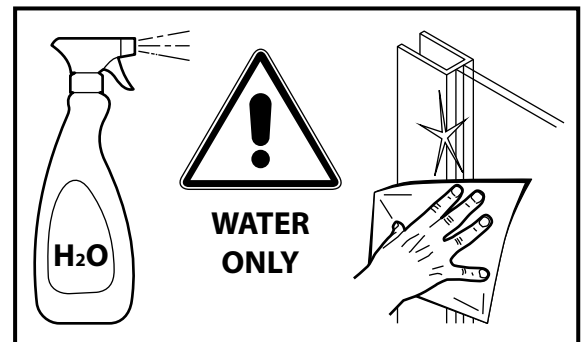
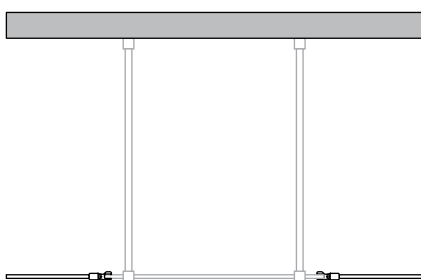
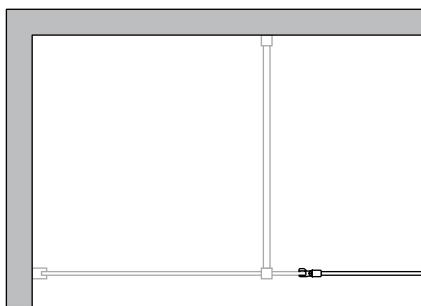
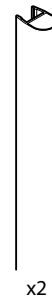
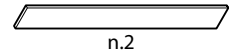
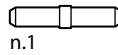
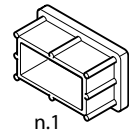
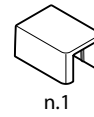
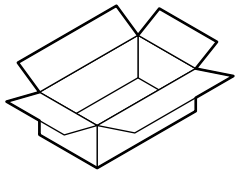
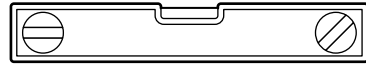
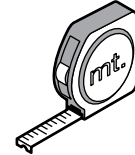
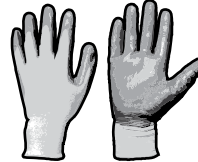
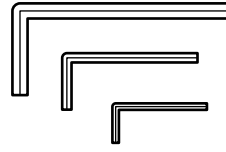
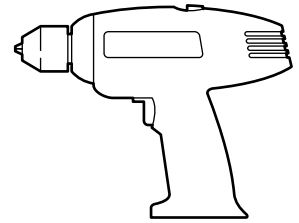
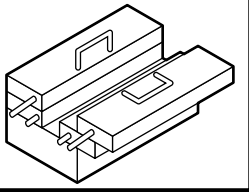
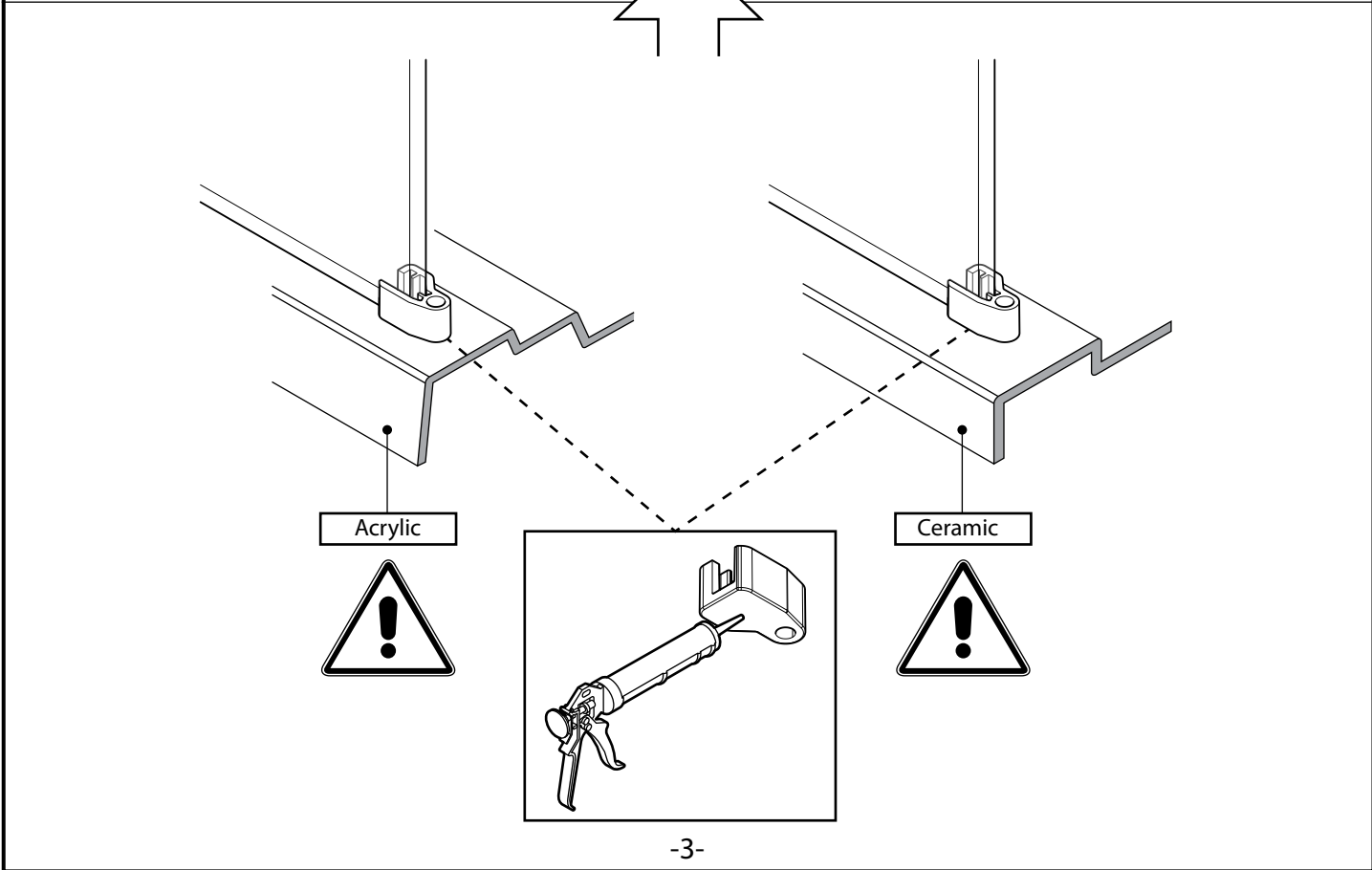
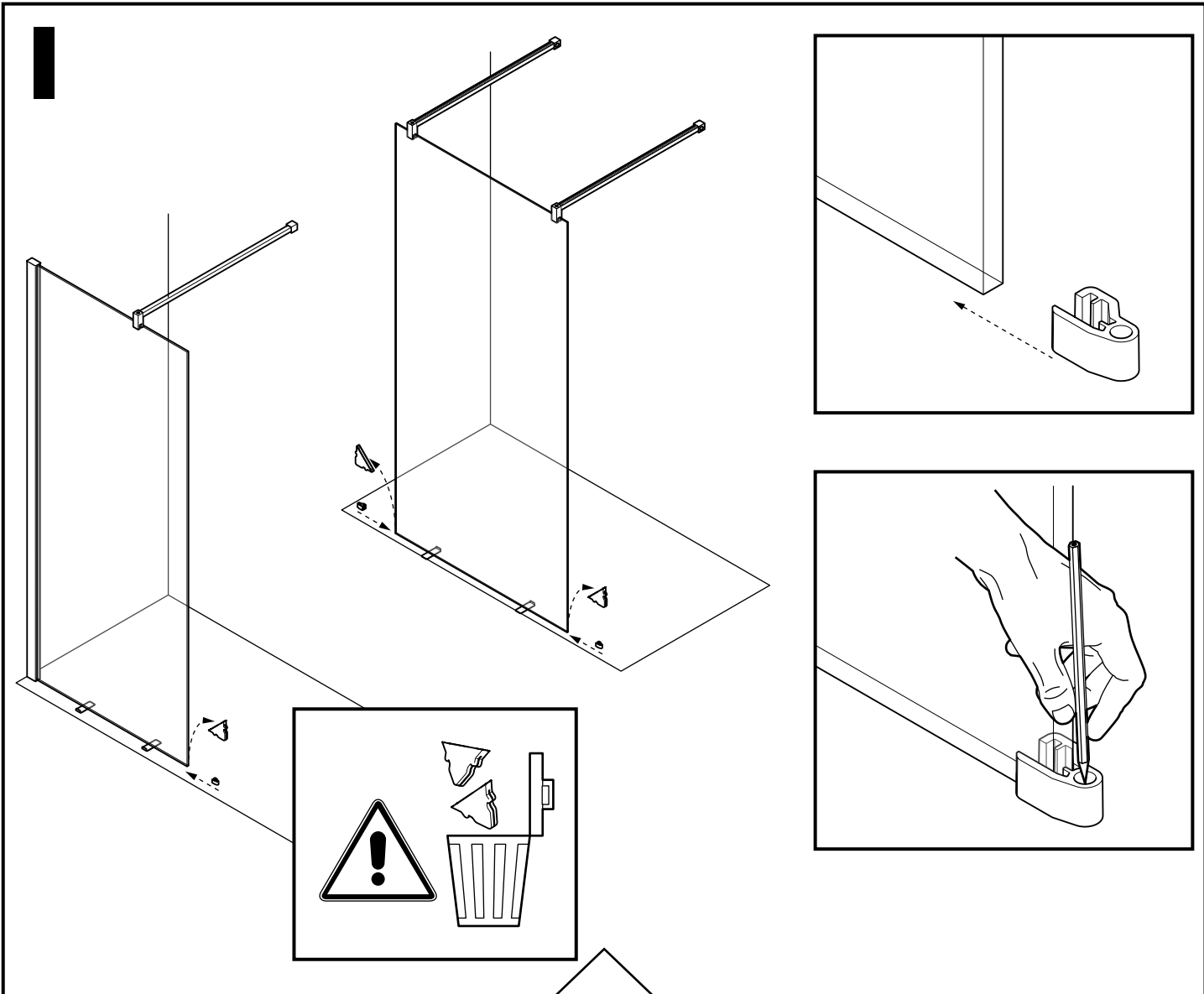


H2

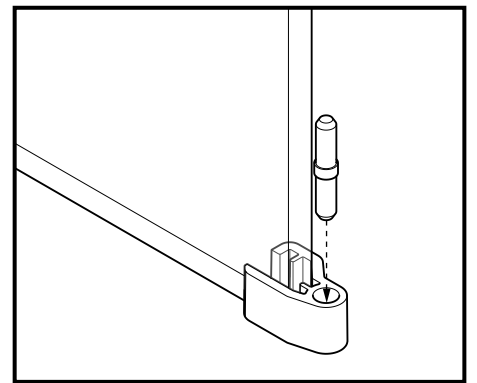
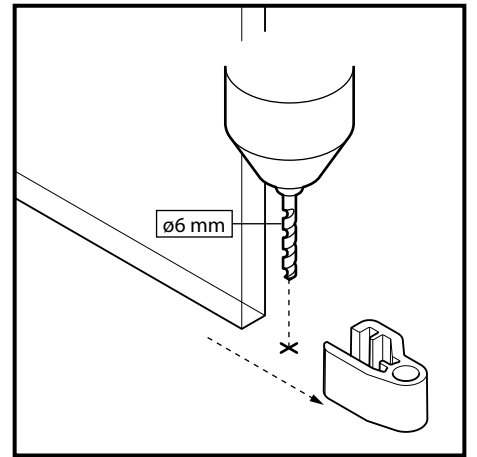
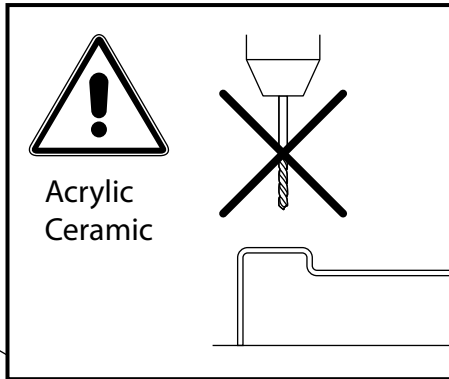
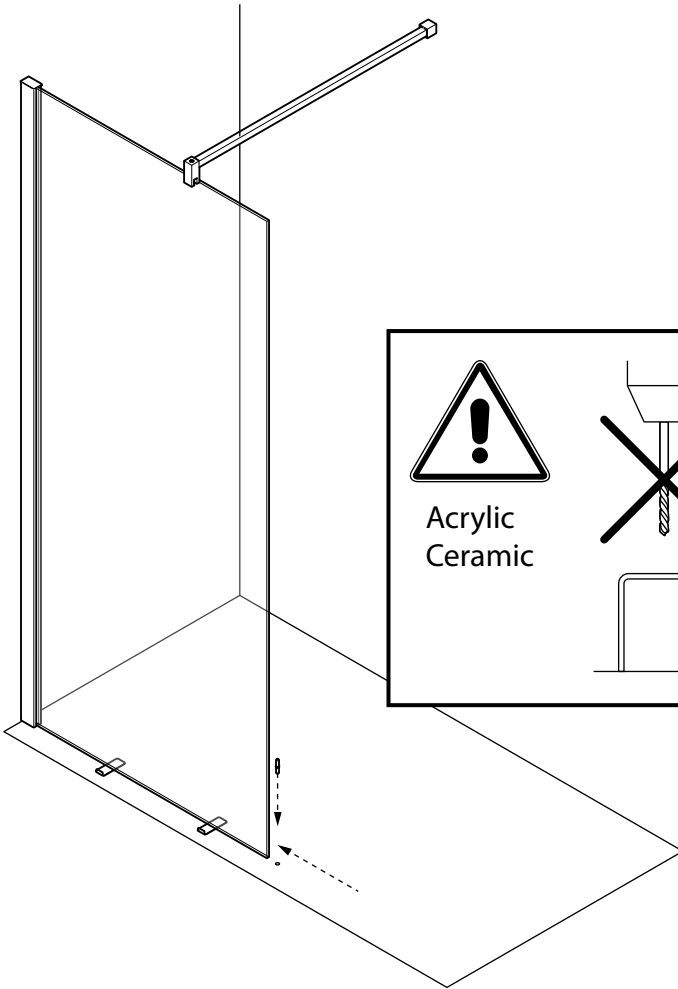


<hr/> <hr/> <hr/> <hr/>	<hr/> <hr/> <hr/> <hr/>
-------------------------	-------------------------

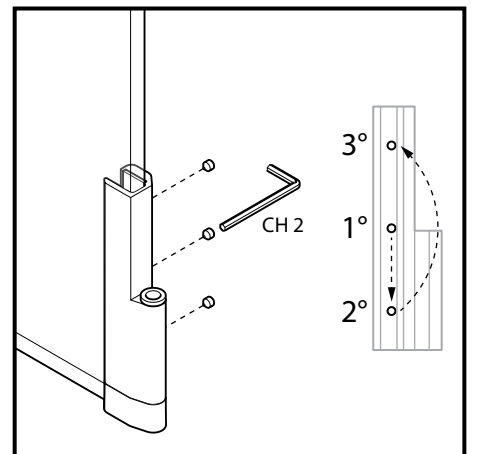
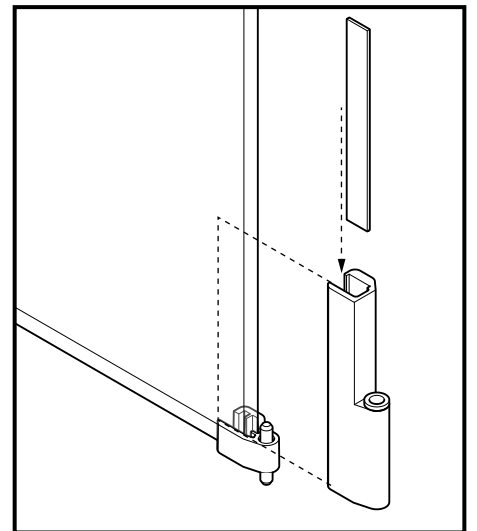
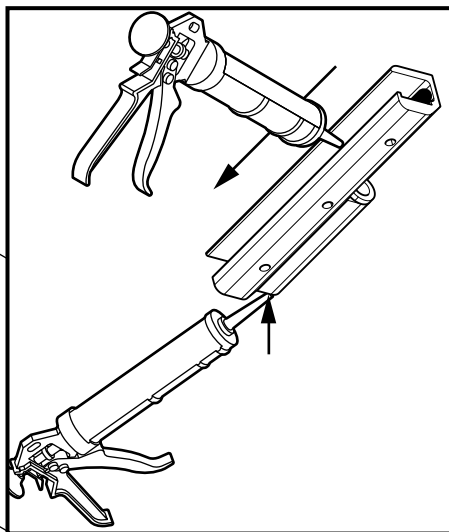
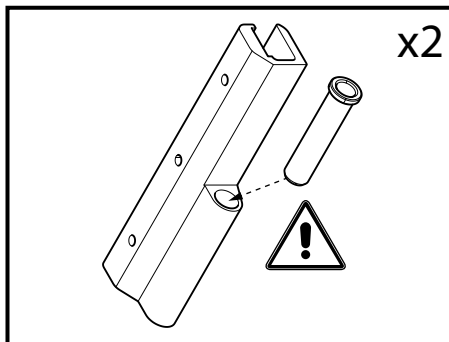
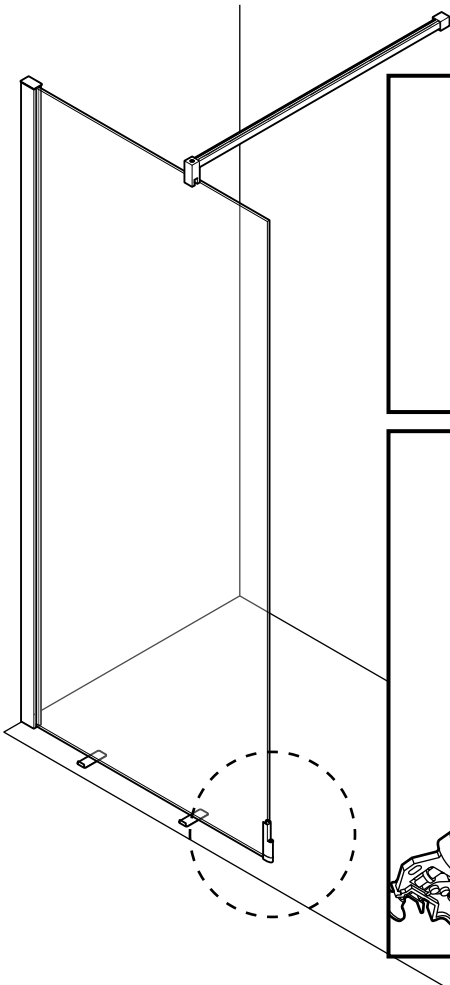




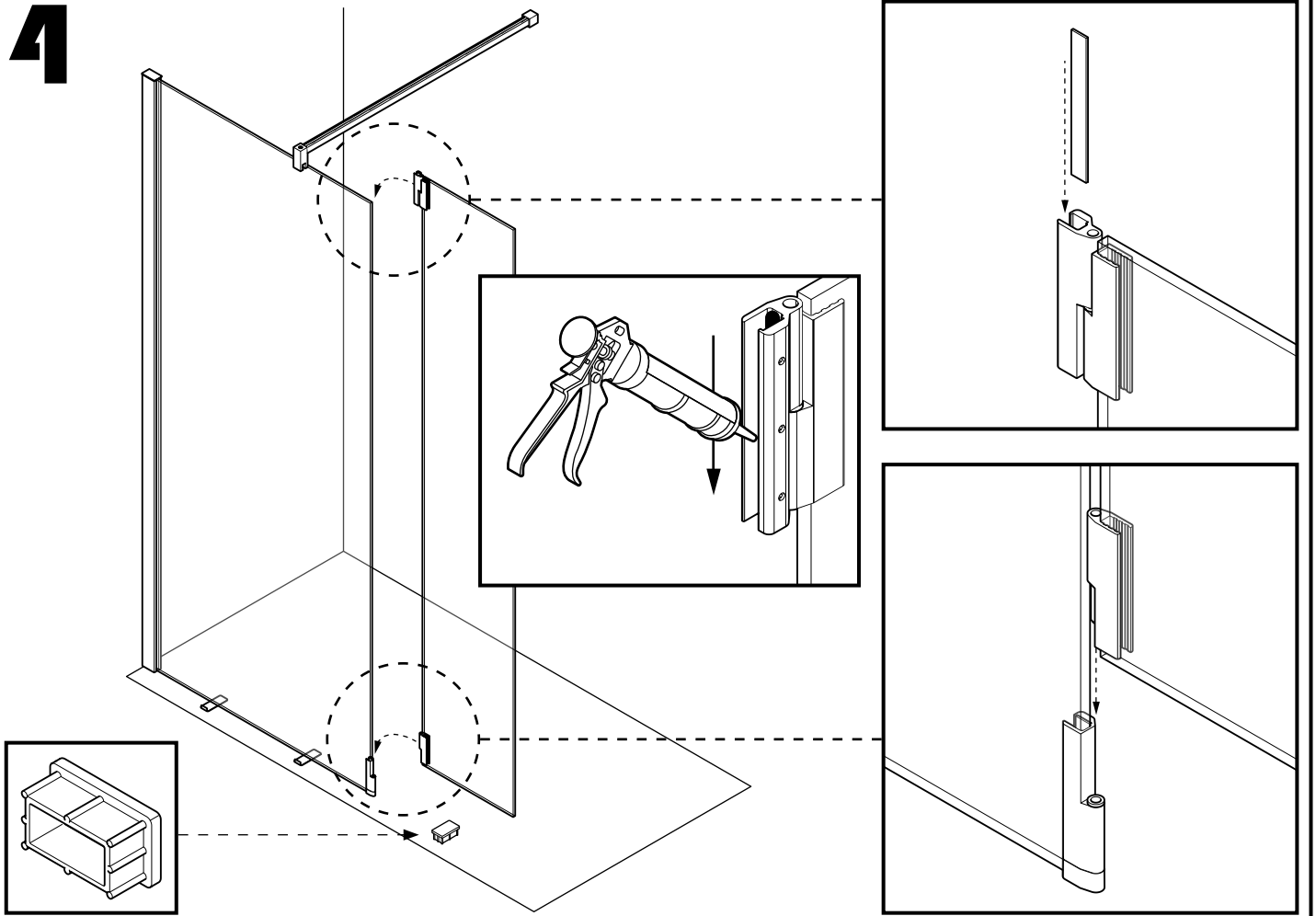
2



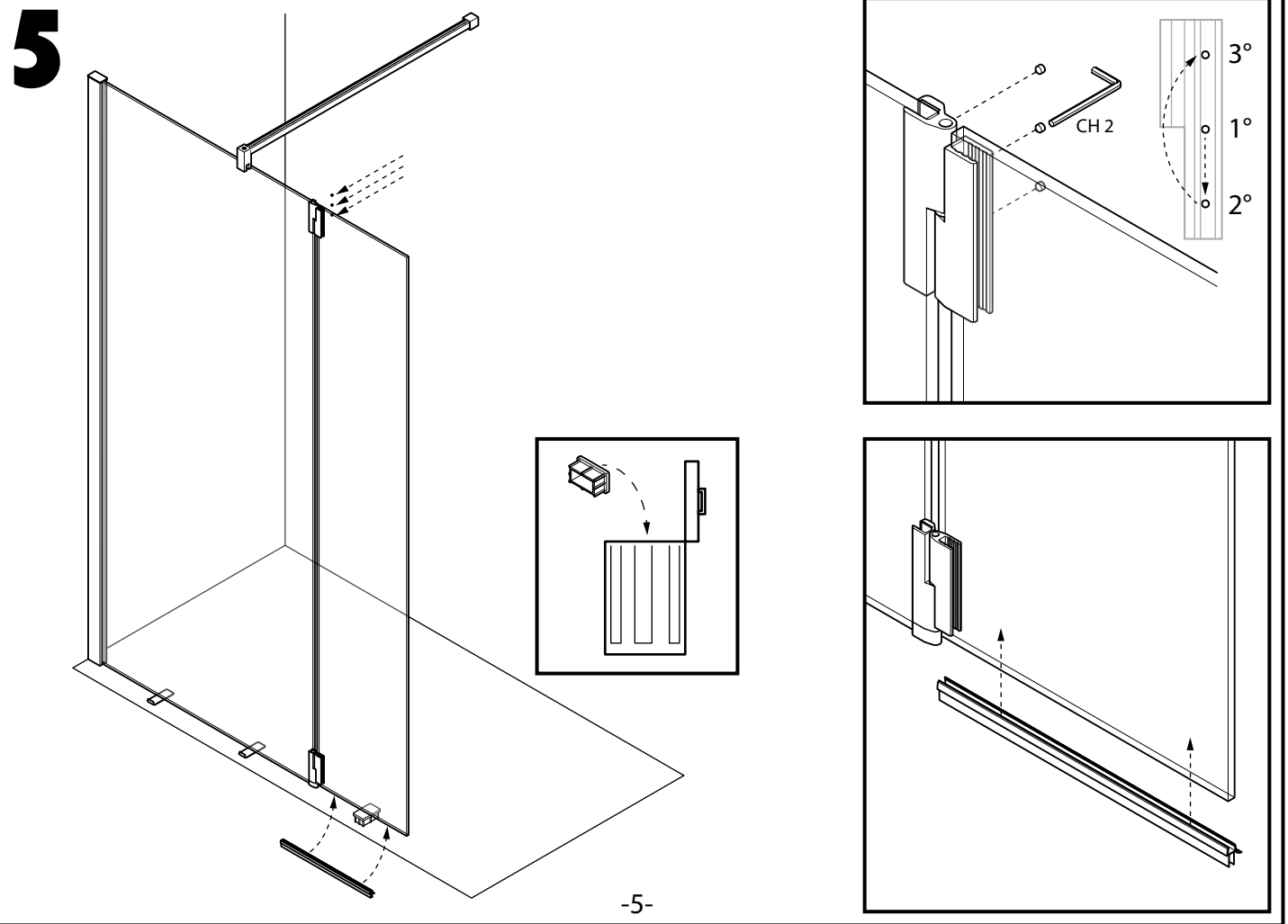
3

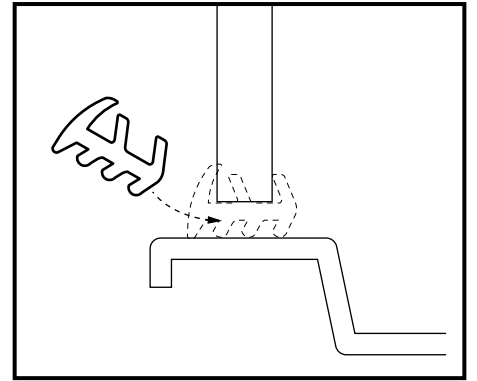
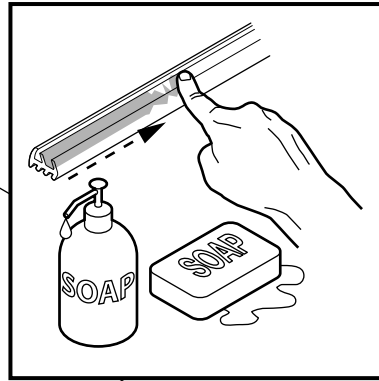
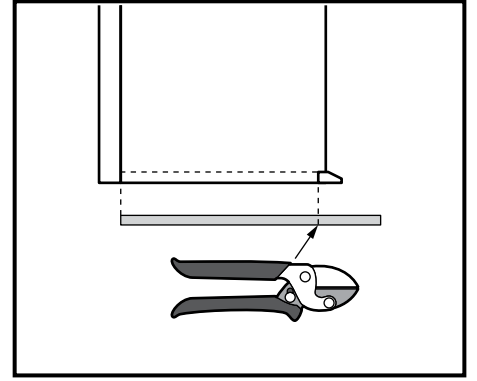
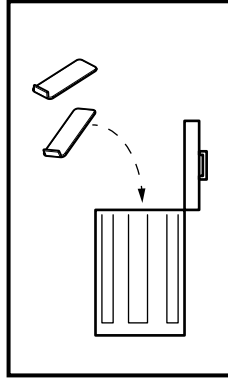
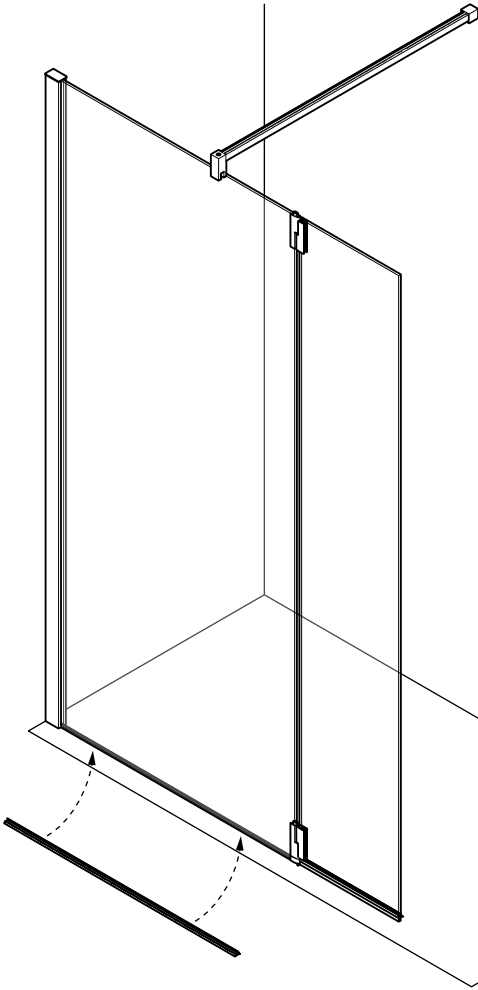


4



5



6**7**